

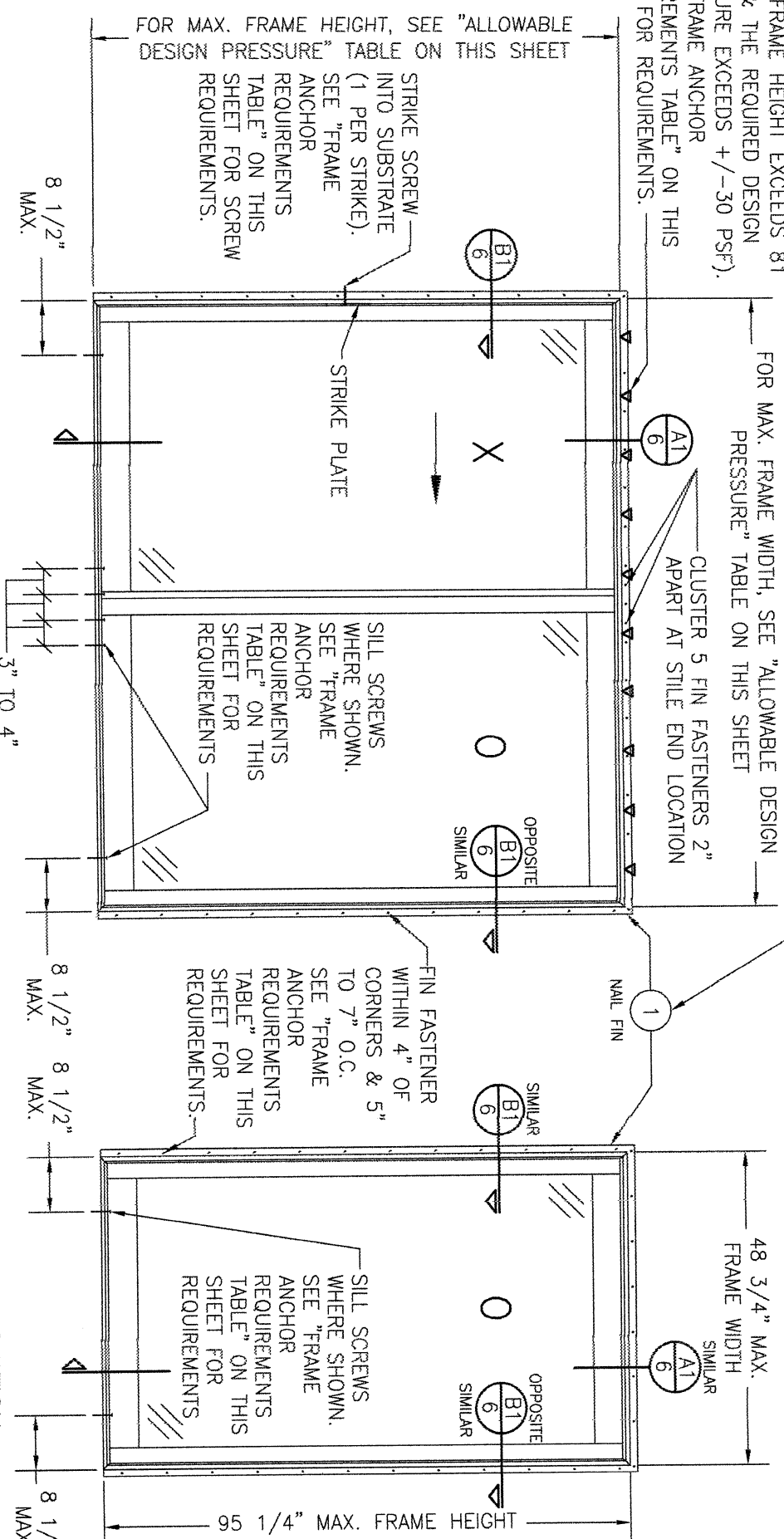
**GENERAL NOTES:**

1. ALL FASTENERS SHALL BE IN ACCORDANCE WITH THESE DRAWINGS. SPECIFIED ANCHOR EMBED TO BASE MATERIAL SHALL BE BEYOND WALL FINISH OR STUCCO.
2. OPENINGS, BUCKING & BUCKING FASTENERS MUST BE PROPERLY DESIGNED & INSTALLED TO TRANSFER WIND LOADS TO THE STRUCTURE.
3. THESE NON-IMPACT RATED PRODUCT INSTALLATIONS ARE IN ACCORDANCE WITH AND MEET THE REQUIREMENTS OF THE FLORIDA BUILDING CODE (FBC).
4. ALL ANCHORS SECURING PRODUCT FRAMES TO PRESSURE TREATED BUCKS OR WOOD FRAMING SHALL BE CAPABLE OF RESISTING CORROSION CAUSED BY THE PRESSURE TREATING CHEMICALS IN THE WOOD.
5. MATERIALS, INCLUDING BUT NOT LIMITED TO STEEL SCREWS, THAT COME INTO CONTACT WITH OTHER DISSIMILAR MATERIALS SHALL MEET THE REQUIREMENTS OF FLORIDA BUILDING CODE CHAPTER 20.
6. TO THE BEST OF OUR KNOWLEDGE, THE PRODUCT SHOWN HEREIN IS CERTIFIED & QUALITY ASSURED BY A FLORIDA STATE APPROVED CERTIFICATION/QA ENTITY & SHALL BE LABELED IN ACCORDANCE WITH THE FBC AND THE FLORIDA DEPARTMENT OF BUSINESS & PROFESSIONAL REGULATION SPECIFICATIONS. PRODUCT ASSEMBLY IS NOT PART OF THIS DRAWING AND SHALL BE IN ACCORDANCE WITH THE MANUFACTURER'S QUALITY ASSURANCE SPECIFICATIONS & TESTING REPORTS.
7. CERTIFICATION OF THESE PRODUCT INSTALLATIONS SHALL BE CONSIDERED VOID IF ANY OF THE FOLLOWING APPLY: 1) PRODUCT IS INSTALLED WITHOUT A BUILDING PERMIT FROM THE APPLICABLE LOCAL BUILDING DEPARTMENT. 2) PRODUCT IS INSTALLED BY ANYONE OTHER THAN A LICENSED CONTRACTOR EXPERIENCED WITH INSTALLATIONS OF THIS TYPE OF PRODUCT. 3) IF CHANGES HAVE OCCURRED TO THE PRODUCT'S CERTIFICATION ENTITY'S CERTIFICATE THAT CAUSE THESE INSTALLATIONS TO BE INCORRECT OR INCONSISTENT WITH WHAT HAS BEEN TESTED.
8. THE LEAST DESIGN PRESSURE SPECIFIED EITHER IN THIS DRAWING OR IN THE PRODUCTS CERTIFICATION SHALL CONTROL FOR THE INSTALLED PRODUCT.
9. THESE DRAWINGS CERTIFY THE PRODUCT INSTALLATION ONLY. WATER PROOFING OF THE INSTALLED PRODUCT IS NOT PART OF THIS INSTALLATION CERTIFICATION. THAT RESPONSIBILITY SHALL BE THAT OF THE MANUFACTURER &/OR INSTALLER.

**FRAME ANCHOR REQUIREMENTS TABLE**

OPENING TYPE (SUBSTRATE)	FRAME/CLIP/NAIL FIN TO OPENING FASTENER TYPE	MINIMUM EMBED	MINIMUM EDGE DIST.
<b>FRAME/SILL SCREWS</b>			
MIN. 2X4 WOOD FRAME OR BUCK (MIN. GR. 3 & G=0.55)	NO. 10 SMS OR WOOD SCREW	1 1/4"	3/4"
MIN. 18 GA. 33 KSI METAL STUD	NO. 10 GR. 5 SELF TAP/DRILL SCREW	FULL	1/2"
MIN. 1/8" THK A36 STEEL	NO. 10 GR. 5 SELF TAP/DRILL SCREW	FULL	1/2"
MIN. 1/8" THK 6063-T5 ALUM.	NO. 10 GR. 5 SELF TAP/DRILL SCREW	FULL	1/2"
C-90 CMU/2500 PSI CONCRETE	(1) 1/4" CONCRETE SCREW	1 1/4"	2"
<b>(2) INSTALLATION CLIP SCREWS (BENT &amp; 3-PIECE CLIPS)</b>			
MIN. 2X4 WOOD FRAME OR BUCK (MIN. GR. 3 & G=0.55)	NO. 8 X 1 1/2" SMS	1 3/8"	(2) N/A
MIN. 1/8" THK A36 STEEL	NO. 8 GR. 5 SELF TAP/DRILL SCREW	FULL	(2) N/A
MIN. 1/8" THK 6063-T5 ALUM.	NO. 8 GR. 5 SELF TAP/DRILL SCREW	FULL	(2) N/A
<b>INSTALLATION CLIP SCREWS (STRAIGHT CLIPS)</b>			
MIN. 2X6 WOOD FRAME OR BUCK (MIN. GR. 3 & G=0.55)	NO. 8 X 1 1/2" SMS	1 3/8"	3/4"
MIN. 18 GA. 33 KSI METAL STUD	NO. 8 GR. 5 SELF TAP/DRILL SCREW	FULL	1/2"
MIN. 1/8" THK A36 STEEL	NO. 8 GR. 5 SELF TAP/DRILL SCREW	FULL	1/2"
MIN. 1/8" THK 6063-T5 ALUM.	NO. 8 GR. 5 SELF TAP/DRILL SCREW	FULL	1/2"
<b>(3) NAILING FIN FASTENERS</b>			
MIN. 2X4 WOOD FRAME OR BUCK (MIN. GR. 3 & G=0.55)	NO. 8 X 1 1/2" SMS	1 3/8"	1/2"
MIN. 2X WOOD FRAME OR BUCK (MIN. GR. 3 & G=0.55)	11 GA. ROOFING NAIL	1 3/8"	1/2"
MIN. 1/8" THK A36 STEEL	NO. 8 GR. 5 SELF TAP/DRILL SCREW	FULL	1/2"
MIN. 1/8" THK 6063-T5 ALUM.	NO. 8 GR. 5 SELF TAP/DRILL SCREW	FULL	1/2"
<b>STRIKE SCREWS</b>			
MIN. 2X4 WOOD FRAME OR BUCK (MIN. GR. 3 & G=0.55)	NO. 8 SMS OR WOOD SCREW	1 1/4"	3/4"
MIN. 18 GA. 33 KSI METAL STUD	NO. 8 GR. 5 SELF TAP/DRILL SCREW	FULL	1/2"
MIN. 1/8" THK A36 STEEL	NO. 8 GR. 5 SELF TAP/DRILL SCREW	FULL	1/2"
MIN. 1/8" THK 6063-T5 ALUM.	NO. 8 GR. 5 SELF TAP/DRILL SCREW	FULL	1/2"
C-90 CMU/2500 PSI CONCRETE	(1) 3/16" CONCRETE SCREW	1 1/4"	2"

FRAME SCREWS OR INSTALLATION CLIPS WHERE SHOWN AT HEAD 6" FROM CORNERS AND MAX. 10" O.C. (REQUIRED ONLY WHEN BOTH THE DOOR FRAME HEIGHT EXCEEDS 81 1/2" & THE REQUIRED DESIGN PRESSURE EXCEEDS +/-30 PSF). SEE "FRAME ANCHOR REQUIREMENTS TABLE" ON THIS SHEET FOR REQUIREMENTS.



NAIL FIN IS NOT REQUIRED AT HEAD OF XO & OX DOORS WHEN FRAME SCREWS OR INSTALLATION CLIPS ARE USED.

THESE DRAWINGS ARE APPLICABLE ONLY TO THE PRODUCT SPECIFIED. THEY MAY NOT BE USED FOR THE ASSEMBLY AND/OR INSTALLATION OF ANY OTHER PRODUCT NOR MAY THEY BE USED FOR RATIONAL AND/OR LOCAL APPROVAL OF ANY PRODUCT NOT PRODUCED BY THE MANUFACTURER STATED ON THESE DRAWINGS.

EDGE DISTANCE MAY BE DECREASED TO 1/2" IF SCREWS ARE ANGLED 15 TO 20 DEGREES AWAY FROM THE EDGE.

**ANCHOR/SUBSTRATE EVALUATION NOTE:**  
ALL ANCHORS IN THEIR SPECIFIED SUBSTRATES HAVE BEEN ANALYZED IN ACCORDANCE WITH THEIR APPLICABLE STANDARD(S) AND ARE FOUND TO BE CAPABLE OF SUPPORTING ALL LOADS IMPOSED ON THEM UNDER THE GUIDELINES OF THIS DOCUMENT. ANY SUBSTRATES OR CONDITIONS OUTSIDE OF WHAT IS SHOWN HERE-IN SHALL BE SUBJECT TO JOB SPECIFIC ENGINEER'S REVIEW & CERTIFICATION.

**INSTALLATION NOTE:**  
WHEN NECESSARY, INSTALLATION METHODS MAY BE MIXED WITH ANY ONE WINDOW SUCH THAT INDIVIDUAL SIDES OF THE WINDOW MAY USE ONE OR THE OTHER ANCHOR METHOD (EXAMPLE: LEFT SIDE MAY USE FRAME SCREWS METHOD WHILE OTHER SIDES USE FIN).

**EXTERIOR ELEVATION:  
2-PANEL SLIDING DOOR DOOR**  
SCALE: 1/2" = 1'-0"  
(NAIL FIN MOUNT CONDITION)

ALLOWABLE DESIGN PRESSURE (2-PANEL SLIDING DOOR)	MAX. FRAME WIDTH (IN.)	MAX. FRAME HEIGHT (IN.)	ALLOWABLE PRESSURE (+/- PSF)
95 1/4	95 1/2	30	
95 1/4	81 1/2	45	
71 1/4	95 1/2	50	

THIS DOOR REQUIRES FRAME SCREWS OR INSTALLATION CLIPS AT THE HEAD PER NOTE WITH ELEVATION.

**EXTERIOR ELEVATION:  
SINGLE FIXED PANEL DOOR**  
SCALE: 1/2" = 1'-0"  
(NAIL FIN MOUNT CONDITION)

ALLOWABLE DESIGN PRESSURE (FIXED PANEL UNITS ONLY)	MAX. FRAME WIDTH (IN.)	MAX. FRAME HEIGHT (IN.)	ALLOWABLE PRESSURE (+/- PSF)
+50/-50 PSF			

**INSTALLATION EVALUATION IS BASED ON APPLICABLE ANCHOR STANDARDS AND/OR INFORMATION & RESULTS FROM APPLICABLE TEST REPORTS. THE FLORIDA BUILDING CODE VERSION CONSIDERED WITH THE EVALUATION WAS THAT IN FORCE AT THE TIME OF THE EVALUATION. IN THE EVENT OF CODE VERSION CHANGES/UPDATES OR IN THE EVENT THAT NEW OR ADDITIONAL TESTING IS COMPLETED ON THE REFERENCED PRODUCT, PRIOR TO STATING COMPLIANCE WITH THE STATE, THE MANUFACTURER SHALL CONFIRM WITH THE INSTALLATION EVALUATION ENGINEER OF RECORD THAT THE INSTALLATIONS SPECIFIED HERE-IN ARE CURRENT WITH THE THEN CURRENT TESTING, CODE AND APPLICABLE STANDARDS.**

NO.	REVISION DESCRIPTION	BY	DATE
A1	ADDED SILL ANCHOR	W.W.S.	08/21/17
B1	ADDED NEW CLIP INSTALL OPTION	W.W.S.	06/19/24

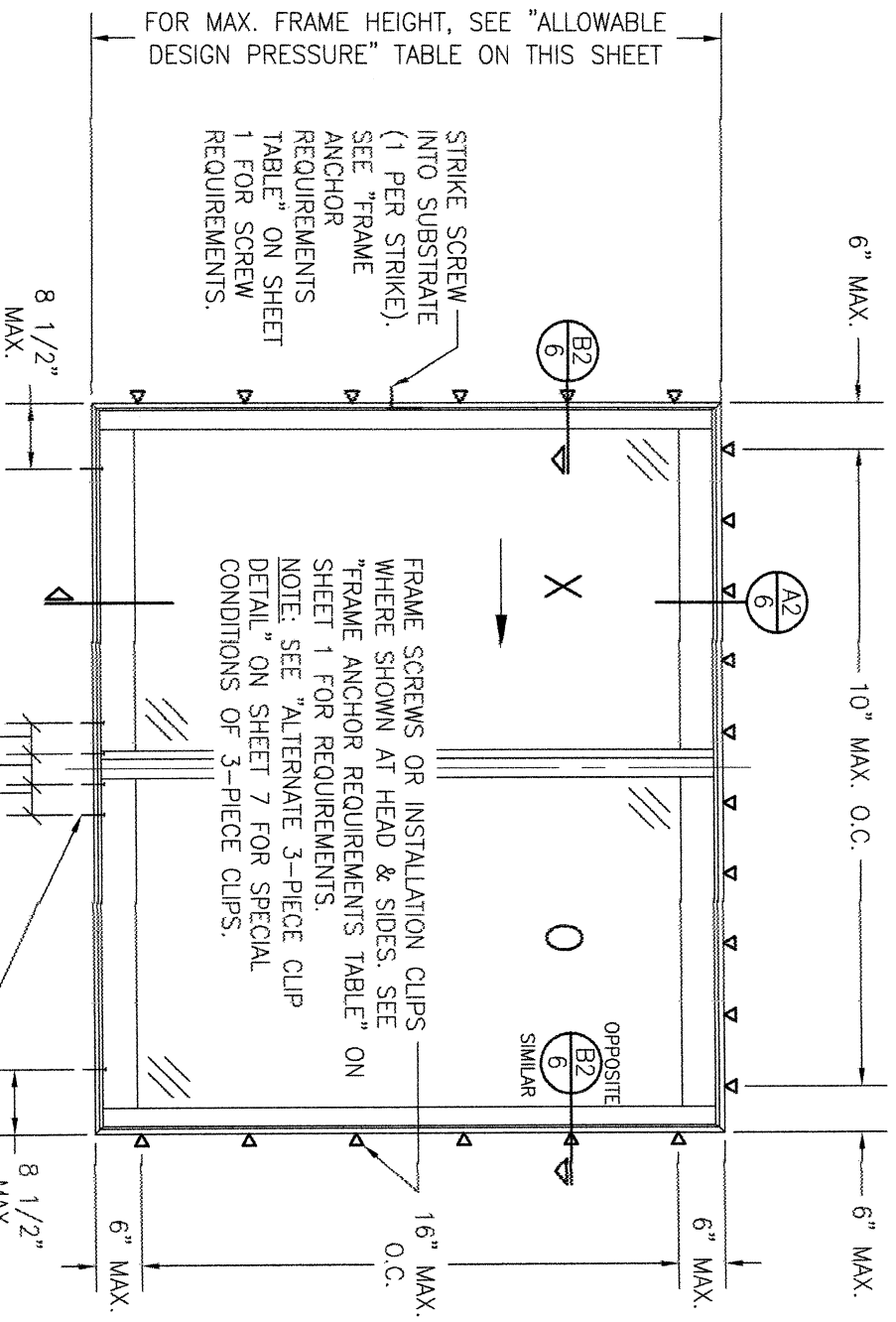
**DRAWING TITLE**  
LIFESTYLE MODEL 4 NON-IMPACT CLAD SLIDING DOOR

**CONSULTANTS**  
W. W. SCHAEFER ENGINEERING & CONSULTING, P.A.  
25601 AYSEN DRIVE  
PUNTA GORDA, FL 33983  
PHONE: 561-744-3424

**MANUFACTURER**  
 PELLA CORPORATION  
102 MAIN STREET  
PELLA, IA 50219  
641-621-1000

**CERTIFICATION**  
WARREN W. SCHAEFER, P.E.  
P.E. NO. 44135

**DRAWING NO.**  
1915  
**REV.**  
B  
**SHEET NO.**  
1 OF 8



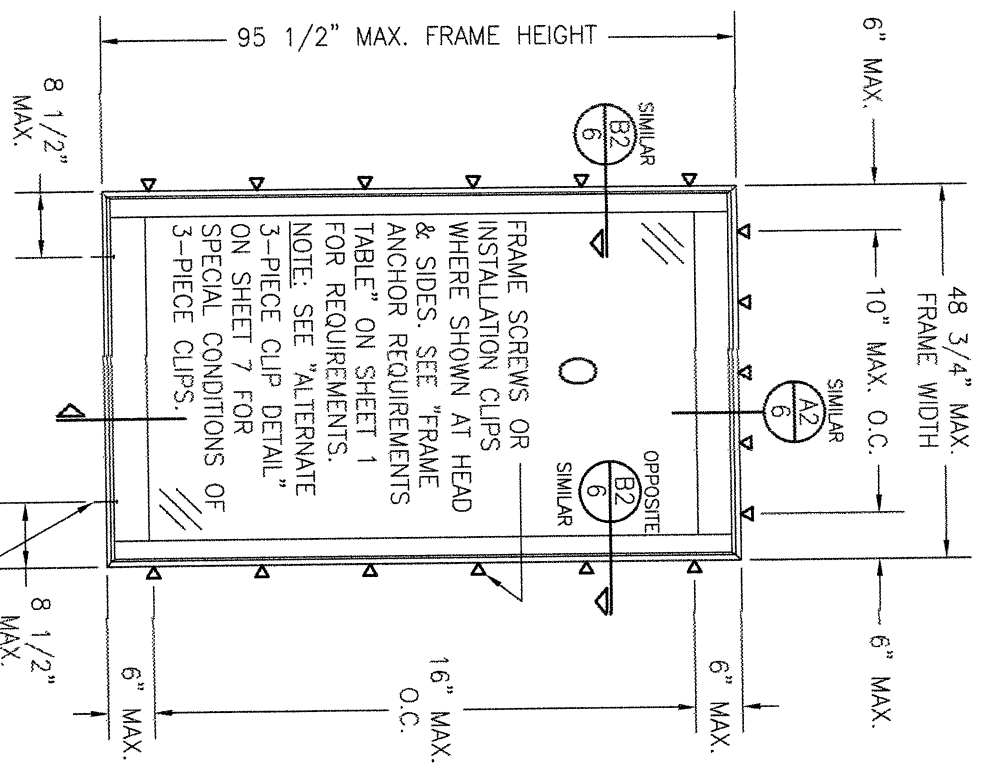
STRIKE SCREW INTO SUBSTRATE (1 PER STRIKE). SEE "FRAME ANCHOR REQUIREMENTS TABLE" ON SHEET 1 FOR SCREW REQUIREMENTS.

FRAME SCREWS OR INSTALLATION CLIPS WHERE SHOWN AT HEAD & SIDES. SEE "FRAME ANCHOR REQUIREMENTS TABLE" ON SHEET 1 FOR REQUIREMENTS.  
NOTE: SEE "ALTERNATE 3-PIECE CLIP DETAIL" ON SHEET 7 FOR SPECIAL CONDITIONS OF 3-PIECE CLIPS.

**EXTERIOR ELEVATION:  
2-PANEL SLIDING DOOR**

SCALE: 1/2" = 1'-0"  
(FRAME SCREW OR CLIP MOUNT CONDITION)  
SILL SCREWS WHERE SHOWN. SEE "FRAME ANCHOR REQUIREMENTS TABLE" ON SHEET 1 FOR REQUIREMENTS

ALLOWABLE DESIGN PRESSURE (2-PANEL SLIDING DOOR)		
MAX. FRAME WIDTH (IN.)	MAX. FRAME HEIGHT (IN.)	ALLOWABLE PRESSURE (+/- PSF)
95 1/4	95 1/2	30
95 1/4	81 1/2	45
71 1/4	95 1/2	50



FRAME SCREWS OR INSTALLATION CLIPS WHERE SHOWN AT HEAD & SIDES. SEE "FRAME ANCHOR REQUIREMENTS TABLE" ON SHEET 1 FOR REQUIREMENTS.  
NOTE: SEE "ALTERNATE 3-PIECE CLIP DETAIL" ON SHEET 7 FOR SPECIAL CONDITIONS OF 3-PIECE CLIPS.

**EXTERIOR ELEVATION:  
SINGLE FIXED PANEL DOOR**


SCALE: 1/2" = 1'-0"  
(FRAME SCREW OR CLIP MOUNT CONDITION)  
SILL SCREWS WHERE SHOWN. SEE "FRAME ANCHOR REQUIREMENTS TABLE" ON SHEET 1 FOR REQUIREMENTS

ALLOWABLE DESIGN PRESSURE (FIXED PANEL UNITS ONLY)
+/-50 PSF

NO.	REVISION DESCRIPTION	BY	DATE

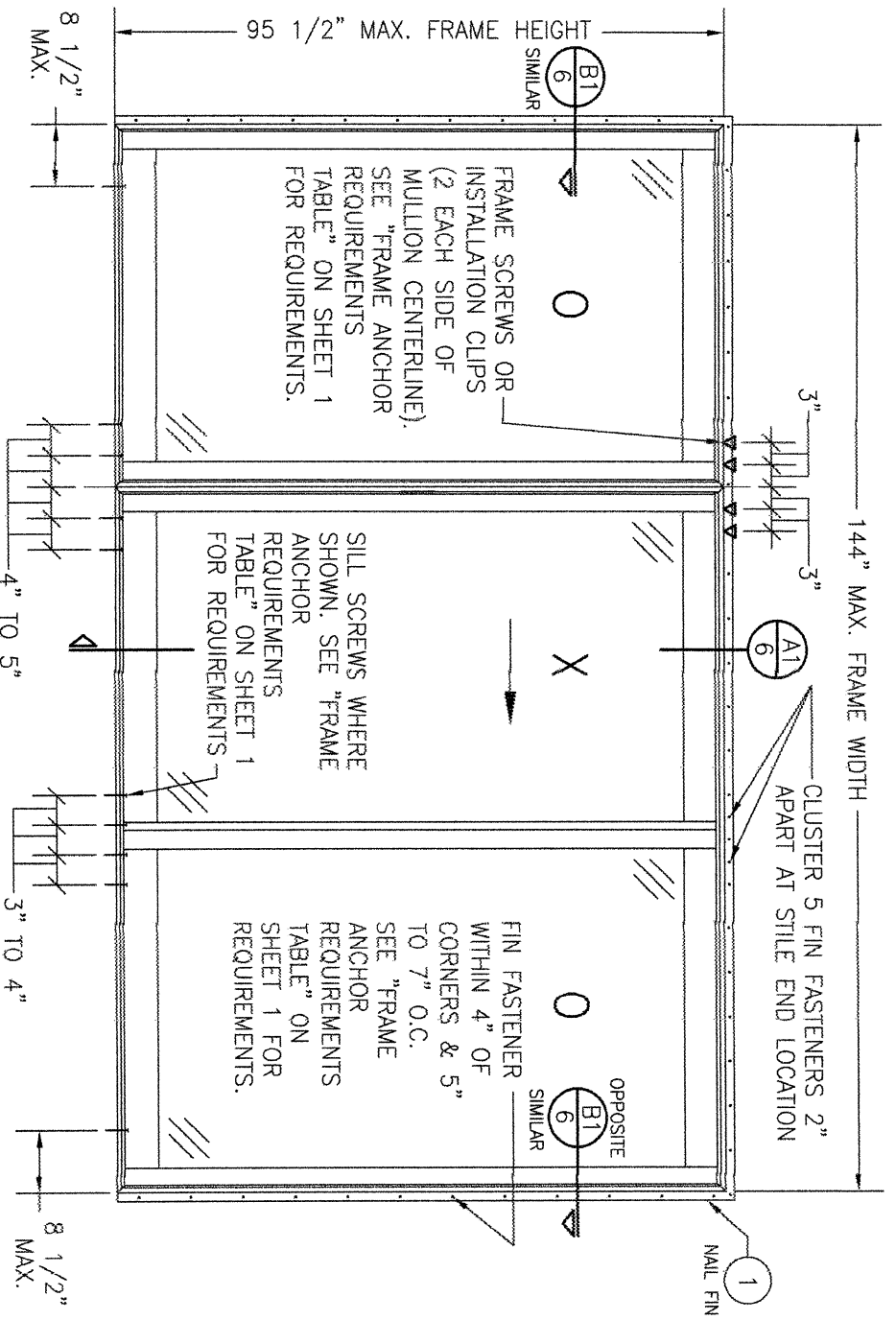
**DRAWING TITLE**  
LIFESTYLE MODEL 4 NON-IMPACT CLAD SLIDING DOOR

**CONSULTANTS**  
W. W. SCHAEFER ENGINEERING & CONSULTING, P.A.  
25601 AYSEN DRIVE  
PUNTA GORDA, FL 33983  
PHONE: 561-744-3424

**MANUFACTURER**  

**PELLA CORPORATION**  
 102 MAIN STREET  
 PELLA, IA 50219  
 641-621-1000

**CERTIFICATION**  
WARREN W. SCHAEFER, P.E.  
P.E. NO. 44135

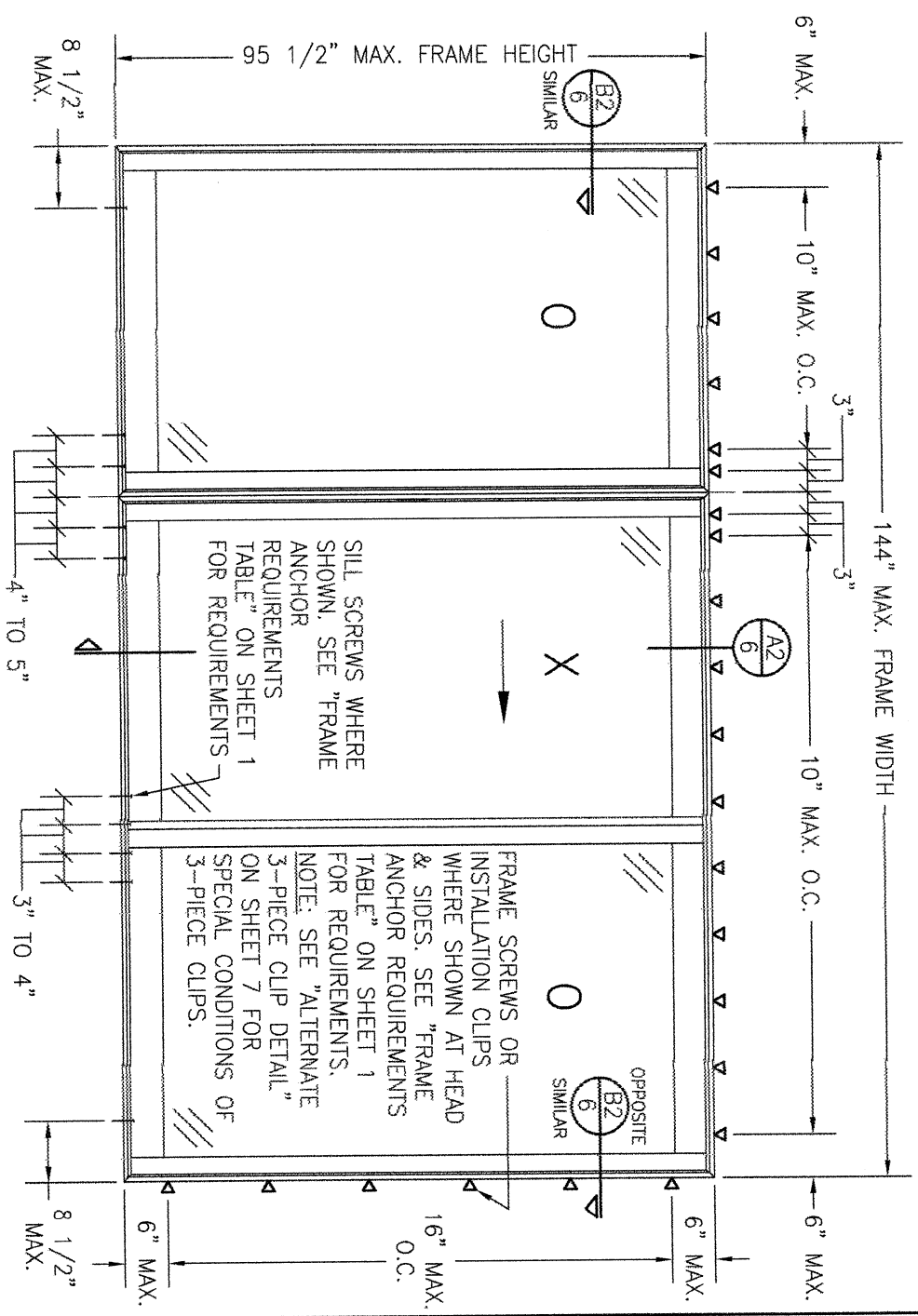
DRAWN BY: W.W.S.  
CHECKED BY: W.W.S.  
DATE: 03/23/16



**EXTERIOR ELEVATION:**  
**2-PANEL SLIDING DOOR WITH SIDELIGHT**

SCALE: 1/2" = 1'-0"  
 (NAIL FIN MOUNT CONDITION)

<b>ALLOWABLE DESIGN PRESSURE</b> (TWO PANEL DOOR WITH SIDELIGHT)
+/-30 PSF



**EXTERIOR ELEVATION:**  
**2-PANEL SLIDING DOOR WITH SIDELIGHT**

SCALE: 1/2" = 1'-0"  
 (FRAME SCREW OR CLIP MOUNT CONDITION)


<b>ALLOWABLE DESIGN PRESSURE</b> (TWO PANEL DOOR WITH SIDELIGHT)
+/-30 PSF

NO.	REVISION DESCRIPTION	BY	DATE

DRAWN BY: W.W.S.  
 DATE: 03/23/16  
 CHECKED BY: W.W.S.

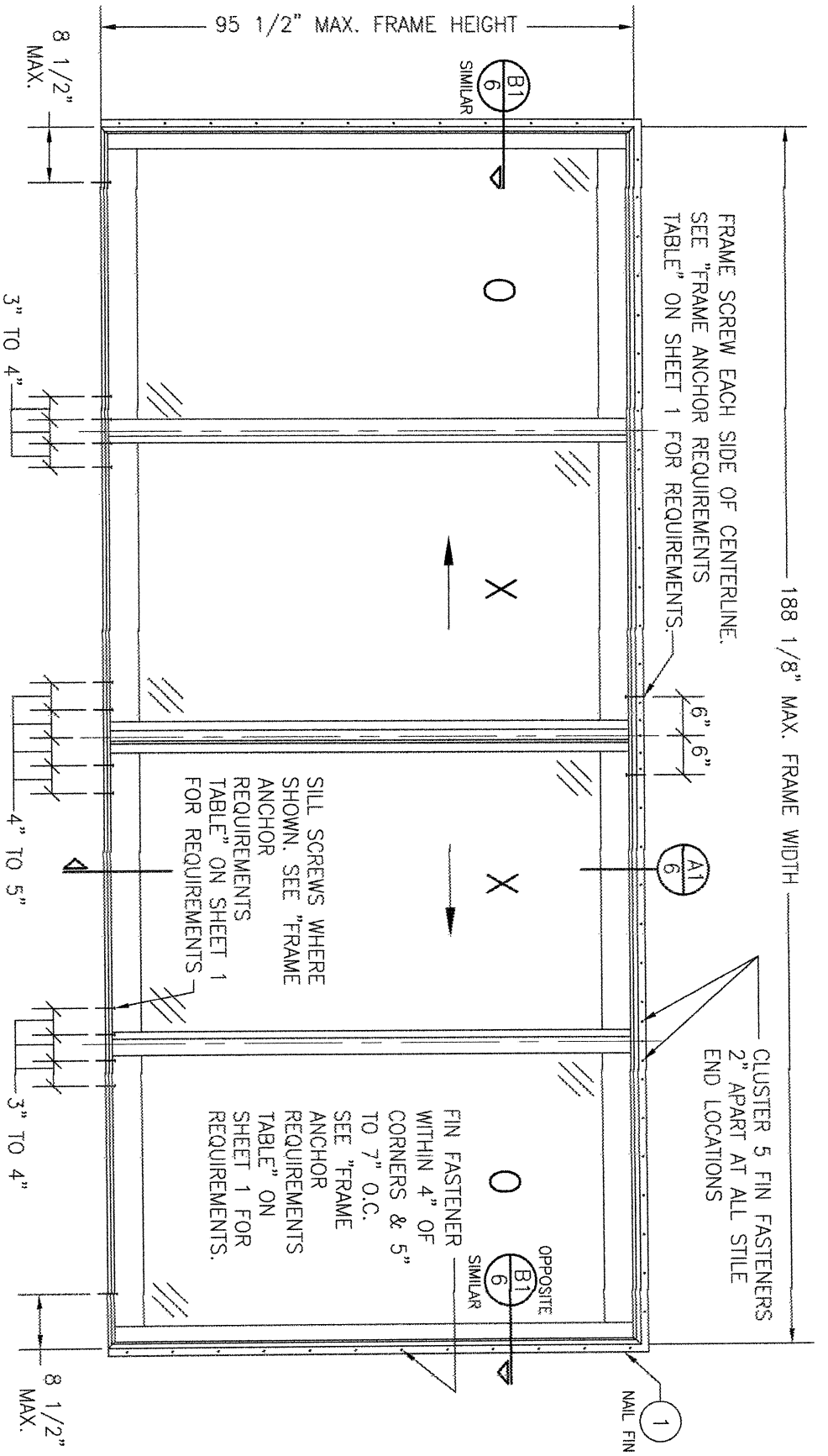
**DRAWING TITLE**  
 LIFESTYLE MODEL 4 NON-IMPACT CLAD SLIDING DOOR

**CONSULTANTS**  
 W. W. SCHAEFER ENGINEERING & CONSULTING, P.A.  
 25601 AYSEN DRIVE  
 PUNTA GORDA, FL 33983  
 PHONE: 561-744-3424

**MANUFACTURER**  

**PELLA CORPORATION**  
 102 MAIN STREET  
 PELLA, IA 50219  
 641-621-1000

**CERTIFICATION**  
 WARREN W. SCHAEFER, P.E.  
 P.E. NO. 44135

**DRAWING NO.**  
 1915  
**REV.**  
 B  
**SHEET NO.**  
 3 OF 8




**EXTERIOR ELEVATION:  
4-PANEL SLIDING DOOR**  
SCALE: 1/2" = 1'-0"  
(NAIL FIN MOUNT CONDITION)

<b>ALLOWABLE DESIGN PRESSURE</b> (4 PANEL DOOR)
+/-25 PSF

NO.	REVISION DESCRIPTION	BY	DATE

**DRAWING TITLE**  
LIFESTYLE MODEL 4 NON-IMPACT CLAD SLIDING DOOR

**CONSULTANTS**  
W. W. SCHAEFER ENGINEERING & CONSULTING, P.A.  
25601 AYSSEN DRIVE  
PUNTA GORDA, FL 33983  
PHONE: 561-744-3424

**MANUFACTURER**  

**PELLA CORPORATION**  
102 MAIN STREET  
PELLA, IA 50219  
641-621-1000

**CERTIFICATION**

WARREN W. SCHAEFER, P.E.  
P.E. NO. 44135

**DRAWING NO.**  
1915

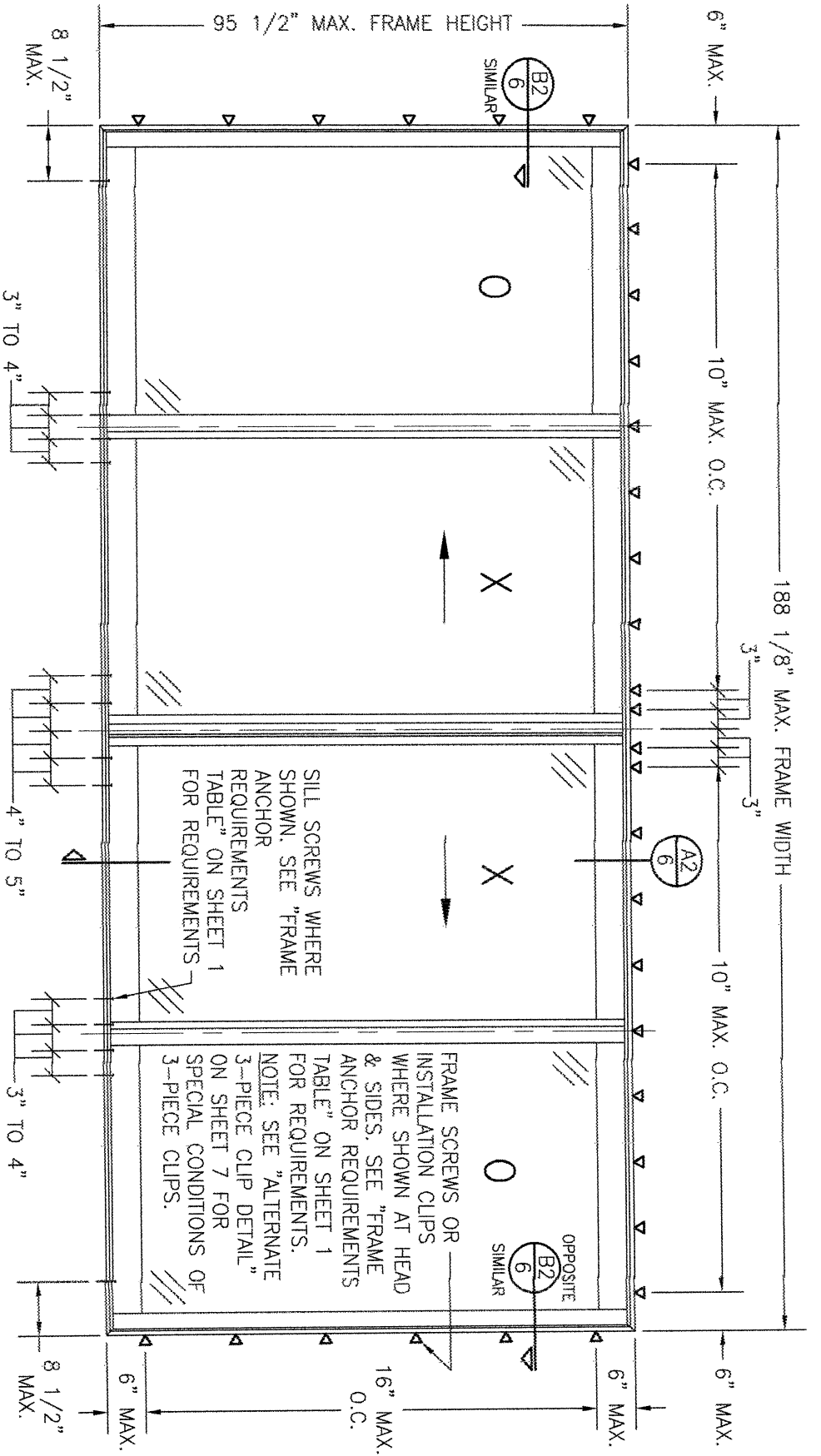
**REV.**  
B

**SHEET NO.**  
4 OF 8

**DRAWN BY:**  
W.W.S.

**CHECKED BY:**  
W.W.S.

**DATE:**  
03/23/16




**EXTERIOR ELEVATION:  
4-PANEL SLIDING DOOR**  
SCALE: 1/2" = 1'-0"  
(FRAME SCREW OR CLIP MOUNT CONDITION)

<b>ALLOWABLE DESIGN PRESSURE</b> (4 PANEL DOOR)
+/-20 PSF

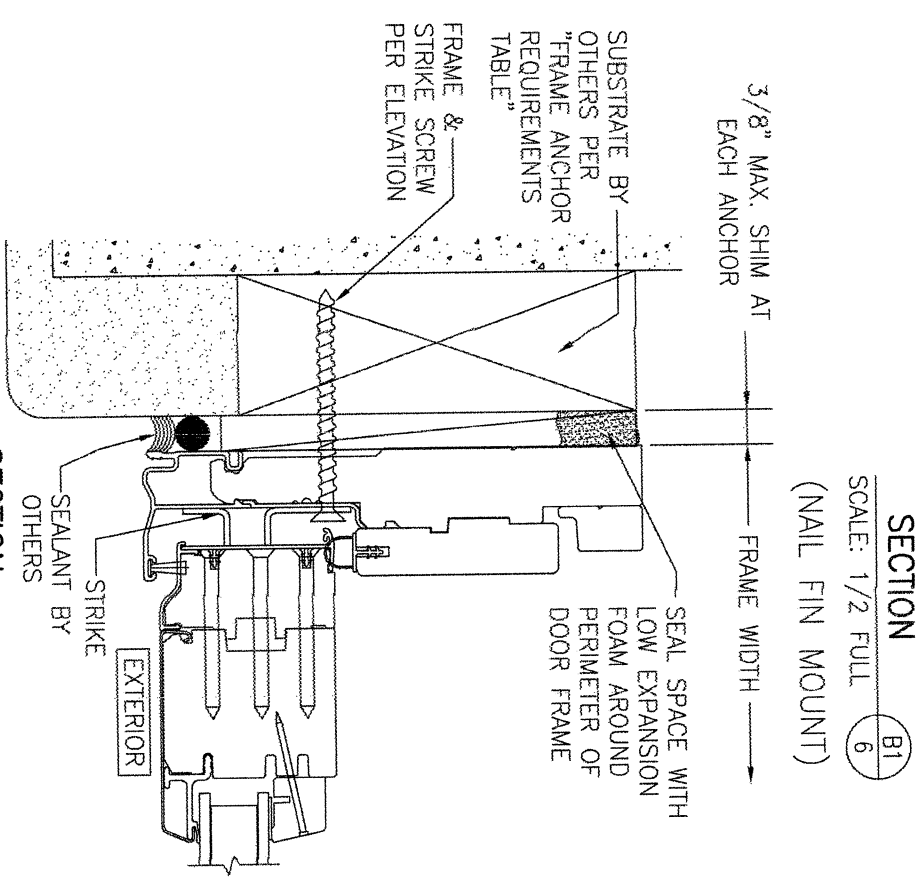
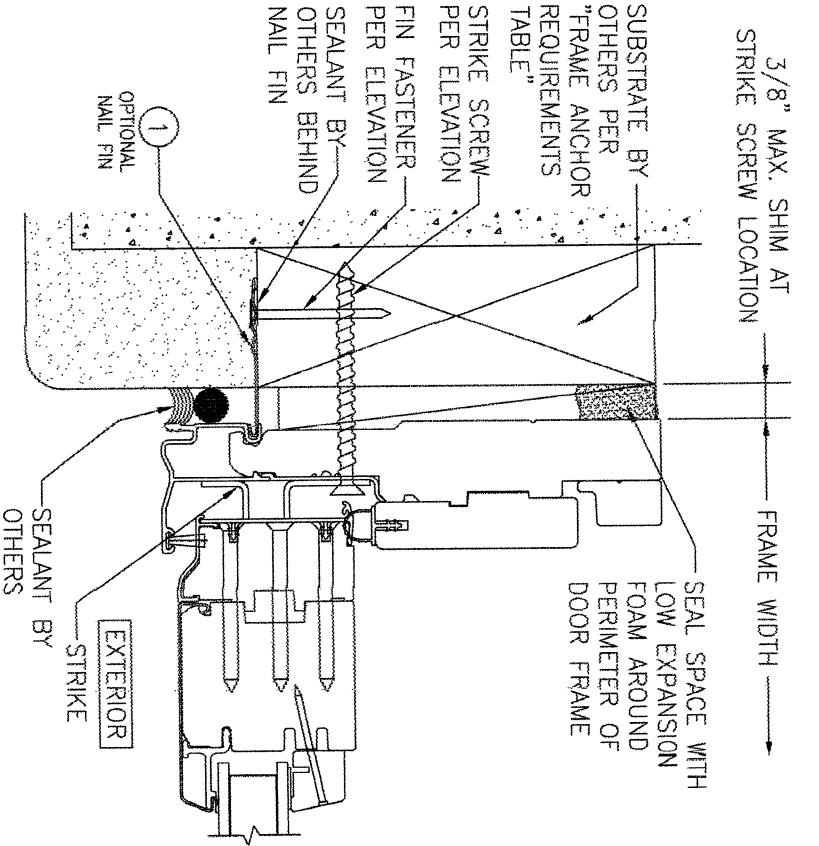
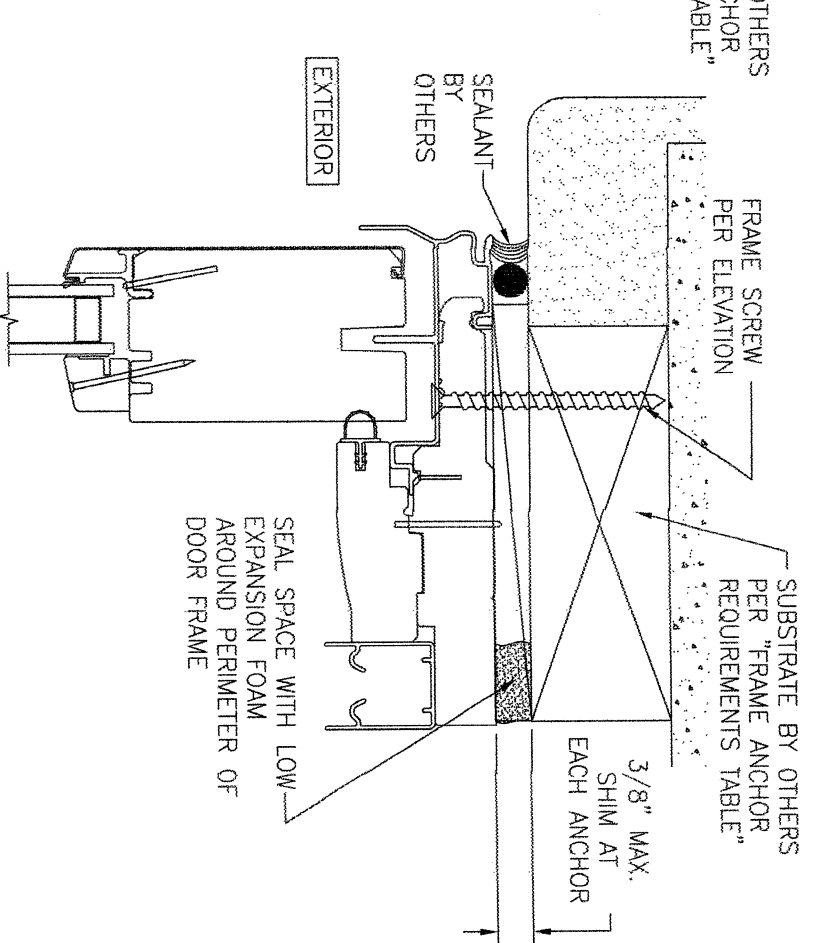
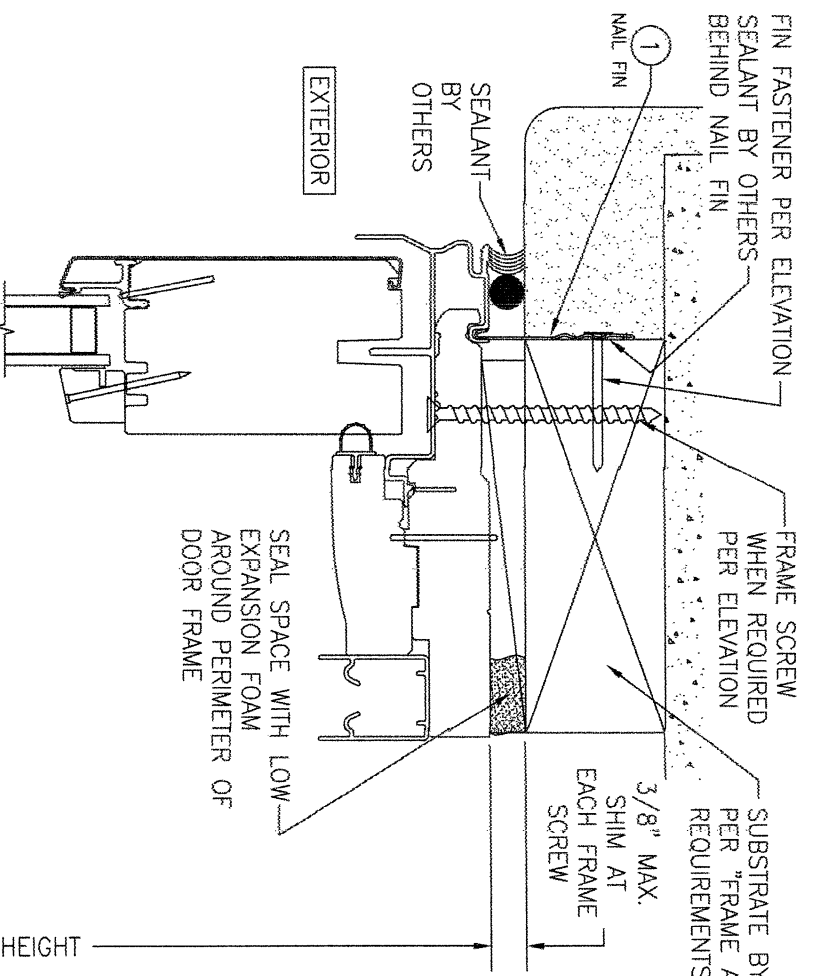
NO.	REVISION DESCRIPTION	BY	DATE

DRAWN BY: W.W.S.	CHECKED BY: W.W.S.
DATE: 1-24	DATE: 05/23/16

DRAWING TITLE <b>LIFESTYLE MODEL 4 NON-IMPACT CLAD SLIDING DOOR</b>	
CONSULTANTS <b>W. W. SCHAEFER ENGINEERING &amp; CONSULTING, P.A.</b> 25601 AYSEN DRIVE PUNTA GORDA, FL 33983 PHONE: 561-744-3424	MANUFACTURER  <b>PELLA CORPORATION</b> 102 MAIN STREET PELLA, IA 50219 641-621-1000

CERTIFICATION	
WARREN W. SCHAEFER, P.E. P.E. NO. 44135	
DRAWING NO. <b>1915</b>	REV. <b>B</b>
SHEET NO. <b>5</b>	OF <b>8</b>





FRAME SCREW MOUNT SHOWN. SEE DETAILS ON SHEET 7 FOR DIRECT MOUNT & CLIP MOUNT DETAILS.

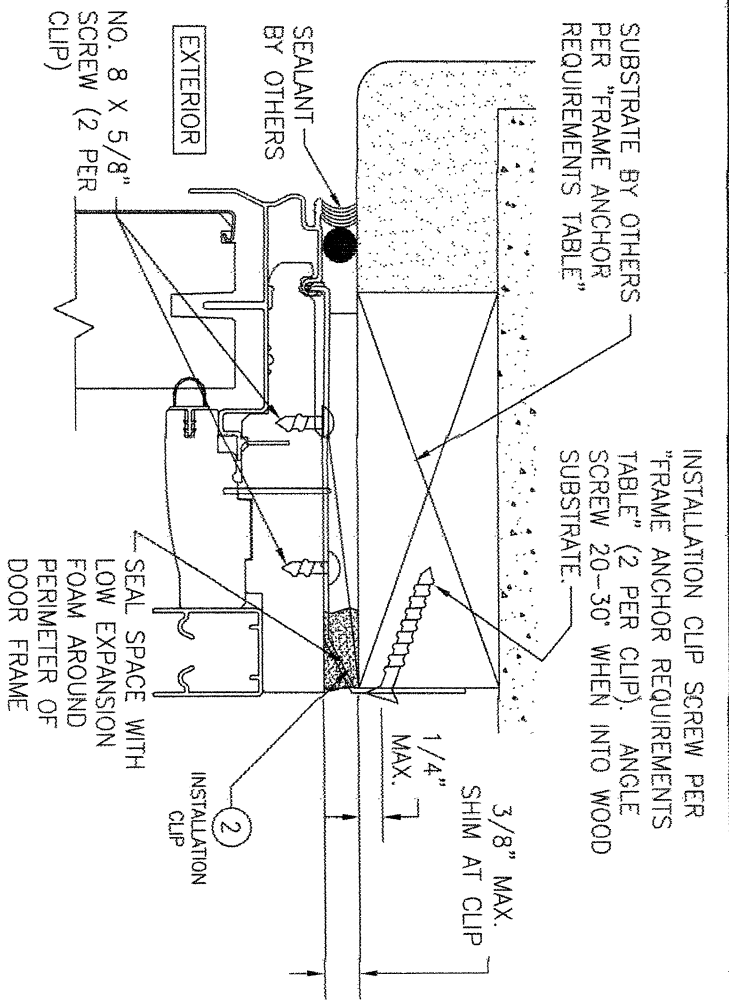
NO.	REVISION DESCRIPTION	BY	DATE
1			
2			
3			
4			
5			
6			

DRAWING TITLE  
**LIFESTYLE MODEL 4 NON-IMPACT CLAD SLIDING DOOR**

CONSULTANTS  
**W. W. SCHAEFER ENGINEERING & CONSULTING, P.A. (CA 6809)**  
7480 150TH COURT NORTH  
PALM BEACH GARDENS, FL 33418  
PHONE: 561-744-3424

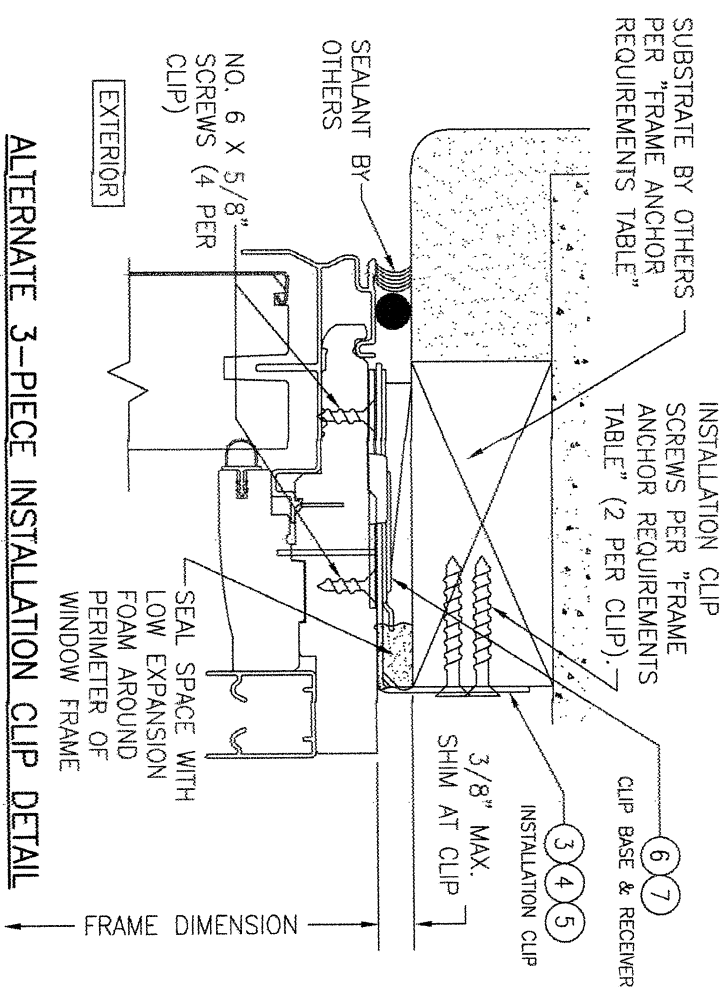
MANUFACTURER  
**Pella**  
**PELLA CORPORATION**  
102 MAIN STREET  
PELLA, IA 50219  
641-621-1000

CERTIFICATION  
WARREN W. SCHAEFER, P.E.  
P.E. NO. 44135



(HEAD SECTION SHOWN; SIDE IS INSTALLED THE SAME)  
 (FOR DETAIL NOT SHOWN, SEE OTHER SECTIONS)  
 (INSTALLATION CLIPS ARE NOT APPLICABLE AT THE SILL)

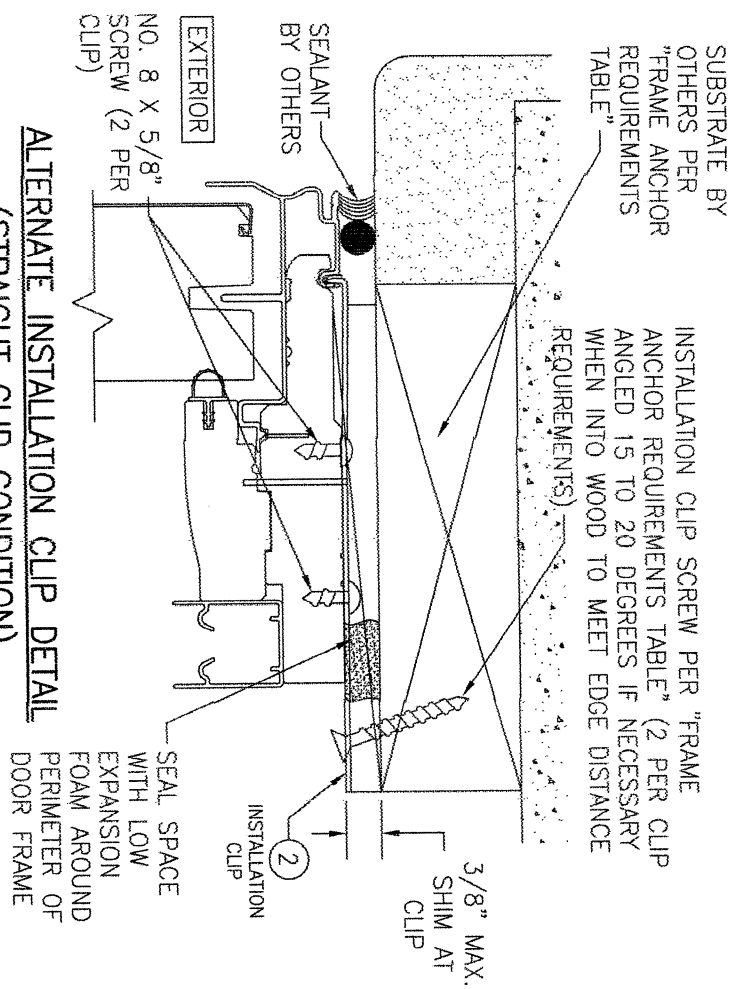
**STANDARD INSTALLATION CLIP DETAIL**  
**(BENT CLIP CONDITION)**



(HEAD SECTION SHOWN; SIDES ARE INSTALLED THE SAME)  
 (FOR DETAIL NOT SHOWN, SEE OTHER SECTIONS)  
 (INSTALLATION CLIPS ARE NOT APPLICABLE AT THE SILL)

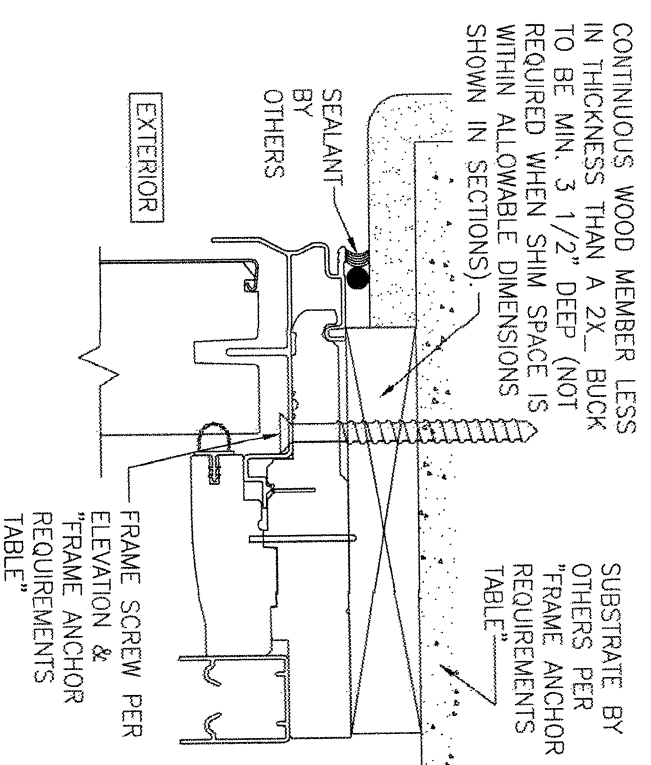
**ALTERNATE 3-PIECE INSTALLATION CLIP DETAIL**

NOTE: 3-PIECE CLIPS MAY ACT AS SPOT OR FULL REPLACEMENTS OF EITHER THE FRAME SCREWS, STANDARD BENT CLIPS OR STRAIGHT CLIPS. THEREFORE, ANY ONE OR ALL OF THE FRAME SCREWS/CLIPS SPECIFIED IN THE ELEVATION(S) MAY BE REPLACED WITH 3-PIECE CLIPS.



(SIDE SECTION SHOWN; HEAD IS INSTALLED THE SAME)  
 (FOR DETAIL NOT SHOWN, SEE OTHER SECTIONS)  
 (INSTALLATION CLIPS ARE NOT APPLICABLE AT THE SILL)

**ALTERNATE INSTALLATION CLIP DETAIL**  
**(STRAIGHT CLIP CONDITION)**



(HEAD SECTION SHOWN; SILL & SIDES ARE INSTALLED THE SAME)  
 (FOR DETAIL NOT SHOWN, SEE OTHER SECTIONS)

**OPTIONAL DIRECT MOUNT DETAIL**  
**TO SUBSTRATE WITH SPACER**

NO.	REVISION DESCRIPTION	BY	DATE
1			
2			

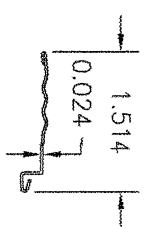


**PELLA CORPORATION**  
 102 MAIN STREET  
 PELLA, IA 50219  
 641-621-1000

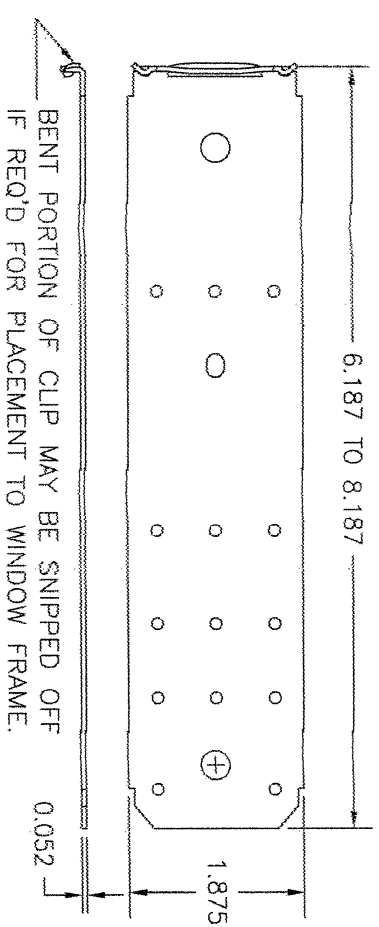
**W. W. SCHAEFER ENGINEERING & CONSULTING, P.A. (CA 6809)**  
 7480 150TH COURT NORTH  
 PALM BEACH GARDENS, FL 33418  
 PHONE: 561-744-3424

WARREN W. SCHAEFER, P.E.  
 P.E. NO. 44135

DRAWING NO. 1915  
 REV. B  
 SHEET NO. 7 OF 8

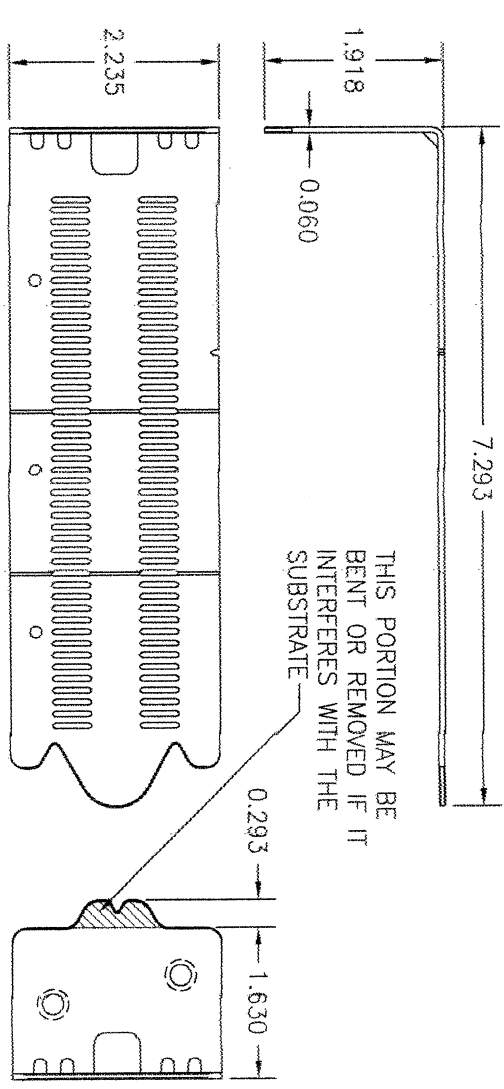


① NAIL FIN  
(3003 H-14 ALUMINUM)



② FRAME INSTALLATION CLIP  
(50 KSI STEEL)

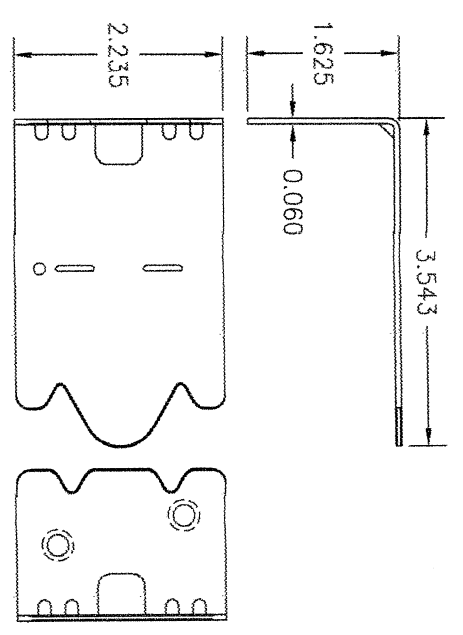
BENT PORTION OF CLIP MAY BE SNIPPED OFF IF REQ'D FOR PLACEMENT TO WINDOW FRAME.



⑤ FRAME INSTALLATION CLIP  
(50 KSI STEEL)

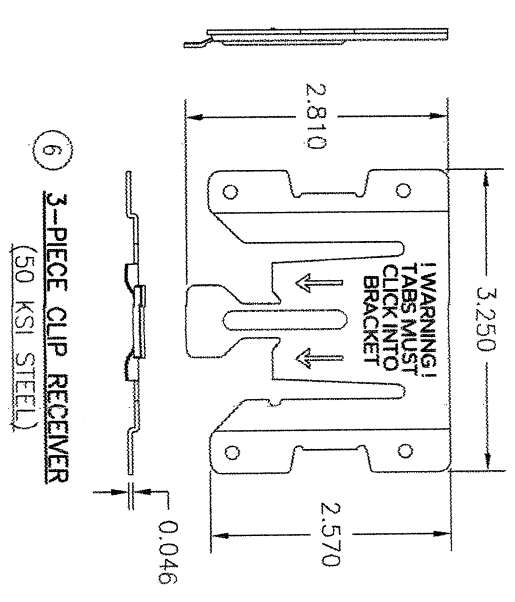
ADJUSTABLE CLIP USED WITH 3-PIECE CLIP SYSTEM

THIS PORTION MAY BE BENT OR REMOVED IF IT INTERFERES WITH THE SUBSTRATE

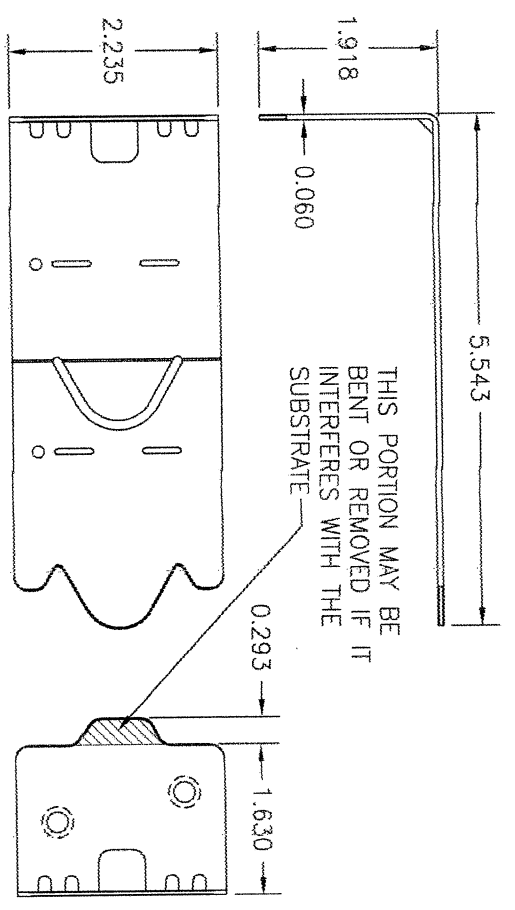


③ FRAME INSTALLATION CLIP  
(50 KSI STEEL)

SHORT CLIP USED WITH 3-PIECE CLIP SYSTEM (TYPICALLY USED WITH 2X4 BUCK SUBSTRATE)



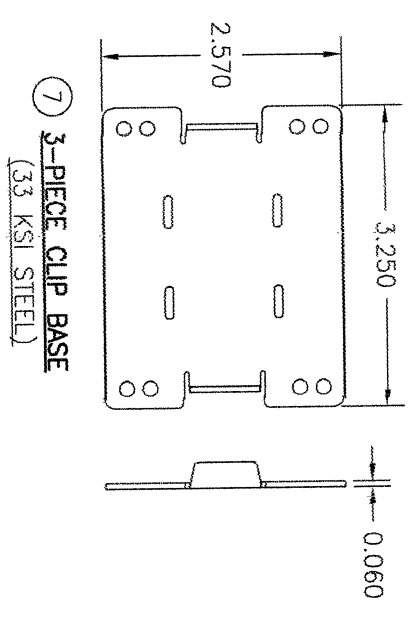
⑥ 3-PIECE CLIP RECEIVER  
(50 KSI STEEL)



④ FRAME INSTALLATION CLIP  
(50 KSI STEEL)

LONG CLIP USED WITH 3-PIECE CLIP SYSTEM (TYPICALLY USED WITH 2X6 BUCK SUBSTRATE, BUT MAY ALSO BE USED WITH 2X4)

THIS PORTION MAY BE BENT OR REMOVED IF IT INTERFERES WITH THE SUBSTRATE



⑦ 3-PIECE CLIP BASE  
(33 KSI STEEL)

NO.	REVISION DESCRIPTION	BY	DATE
1-2			

DRAWN BY: W.W.S.  
CHECKED BY: W.W.S.  
DATE: 03/23/16

DRAWING TITLE  
**LIFESTYLE MODEL 4 NON-IMPACT CLAD SLIDING DOOR**

CONSULTANTS  
**W. W. SCHAEFER ENGINEERING & CONSULTING, P.A. (CA 6809)**  
7480 150TH COURT NORTH  
PALM BEACH GARDENS, FL 33418  
PHONE: 561-744-3424

MANUFACTURER  
**Pella**  
**PELLA CORPORATION**  
102 MAIN STREET  
PELLA, IA 50219  
641-621-1000

CERTIFICATION  
WARREN W. SCHAEFER, P.E.  
P.E. NO. 44135

DRAWING NO. REV. 1915 B  
SHEET NO. 8 OF 8